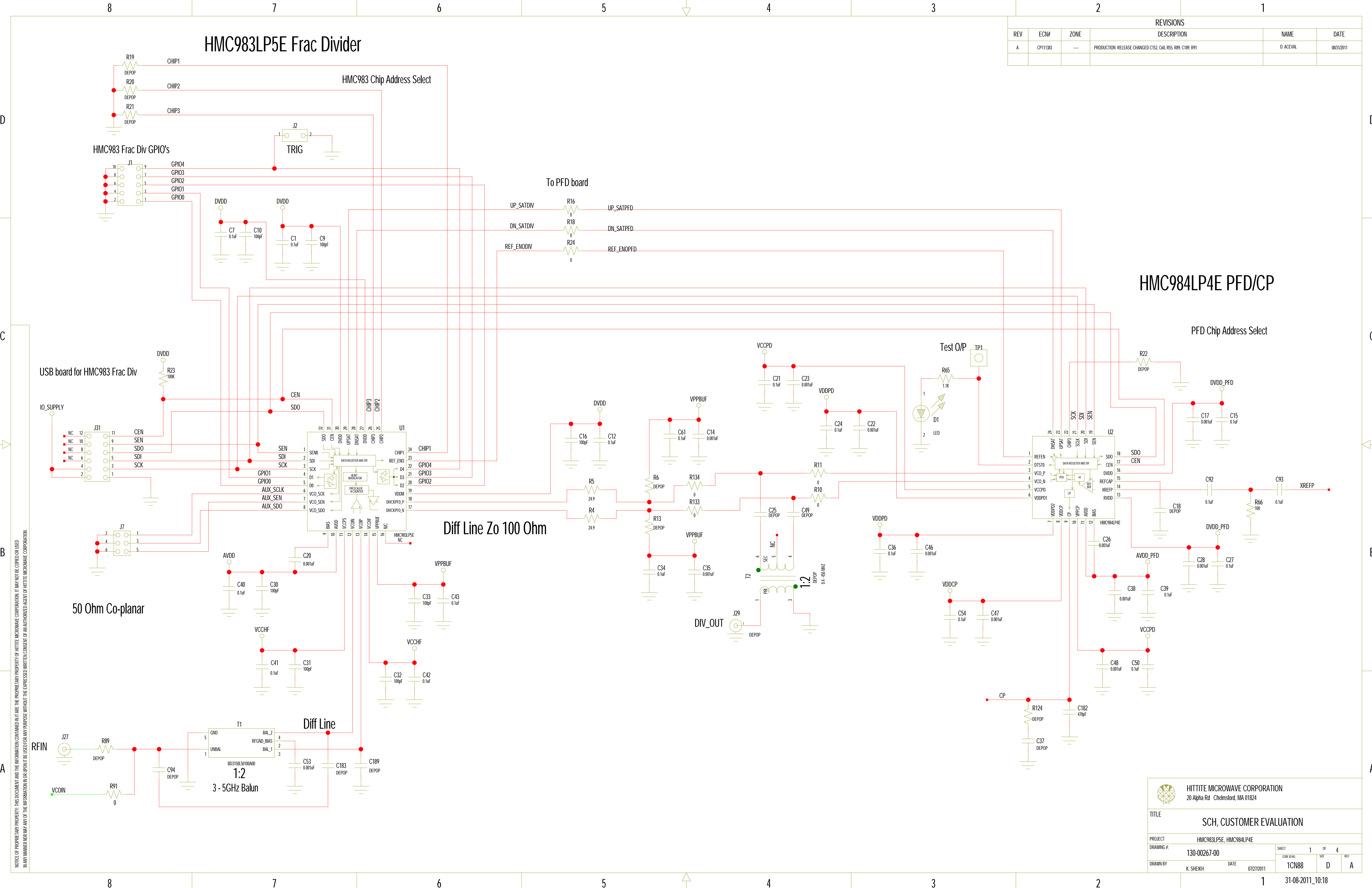


REVISIONS					
REV	ECN#	ZONE	DESCRIPTION	NAME	DATE
A	CP111383	---	PRODUCTION RELEASE CHANGED C152, C40, R55, R89, C189, R91	D. ACEVAL	08/31/2011

# HMC983LP5E Frac Divider



NOTICE OF PROPRIETARY PROPERTY: THIS DOCUMENT AND THE INFORMATION CONTAINED HEREIN ARE THE PROPRIETARY PROPERTY OF HITTITE MICROWAVE CORPORATION. IT MAY NOT BE COPIED OR USED IN ANY MANNER NOR MAY ANY OF THE INFORMATION OR CONTENT BE USED FOR ANY PURPOSE WITHOUT THE EXPRESS WRITTEN CONSENT OF AN AUTHORIZED AGENT OF HITTITE MICROWAVE CORPORATION.

**HITTITE MICROWAVE CORPORATION**  
20 Alpha Rd Chelmsford, MA 01824

**TITLE**  
SCH, CUSTOMER EVALUATION

**PROJECT**  
HMC983LP5E, HMC984LP4E

**DRAWING #:** 130-00267-00

**DRAWN BY:** K. SHERKH

**DATE:** 07/27/2011

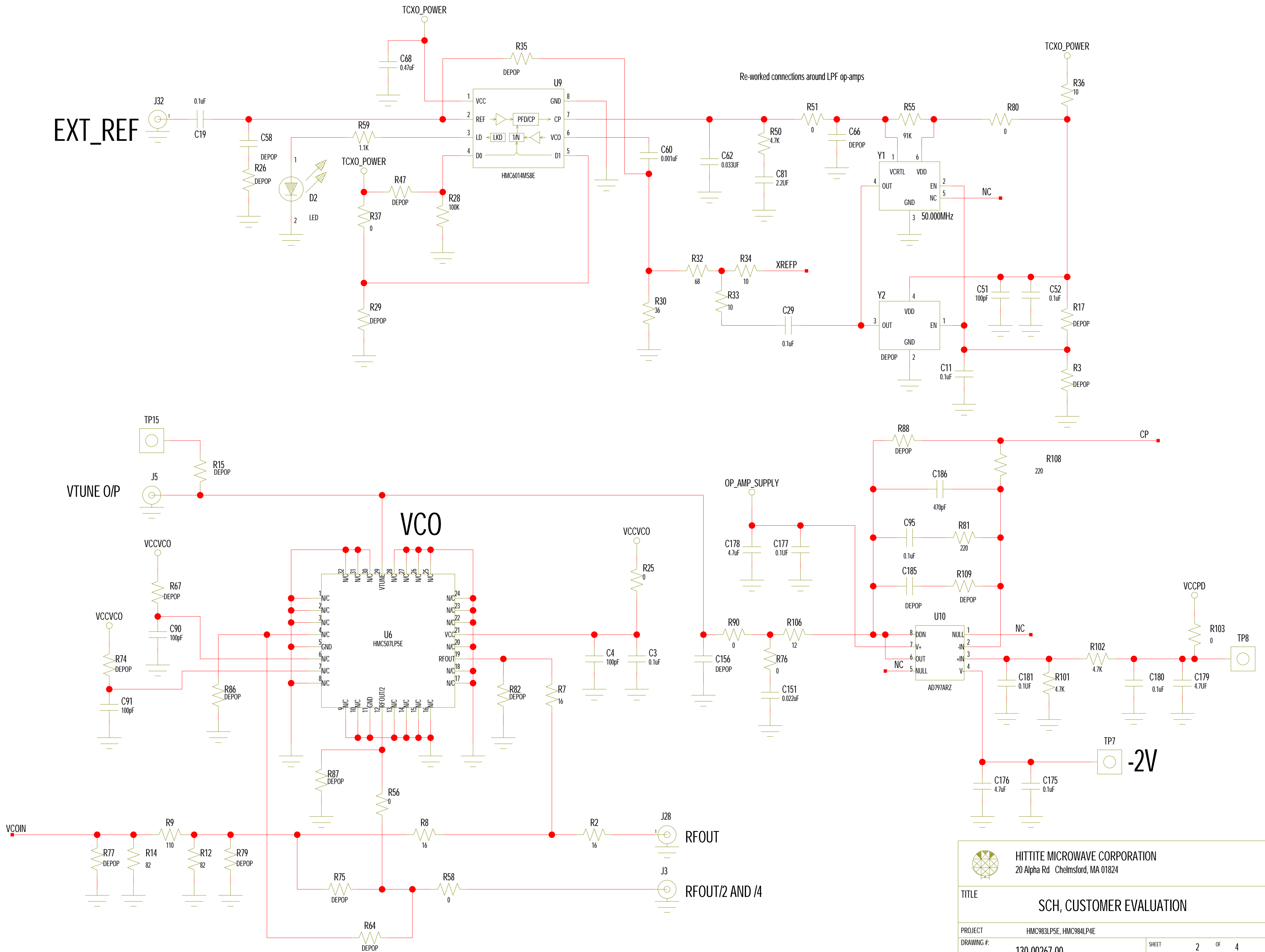
**CODE #:** 1CN88

**REV:** A

**SHEET:** 1 OF 4

**DATE:** 31-08-2011\_10:18

EXT\_REF



		HITTITE MICROWAVE CORPORATION 20 Alpha Rd Chelmsford, MA 01824	
TITLE <b>SCH, CUSTOMER EVALUATION</b>			
PROJECT HMC983LP5E, HMC984LP4E		SHEET 2 OF 4	
DRAWING #: 130-00267-00		CODE ID NO. 1CN88	SIZE C
DRAWN BY K. SHEIKH	DATE 07/27/2011	REV A	

+5.5V

GND

+3V

+3V

+5V


+5V

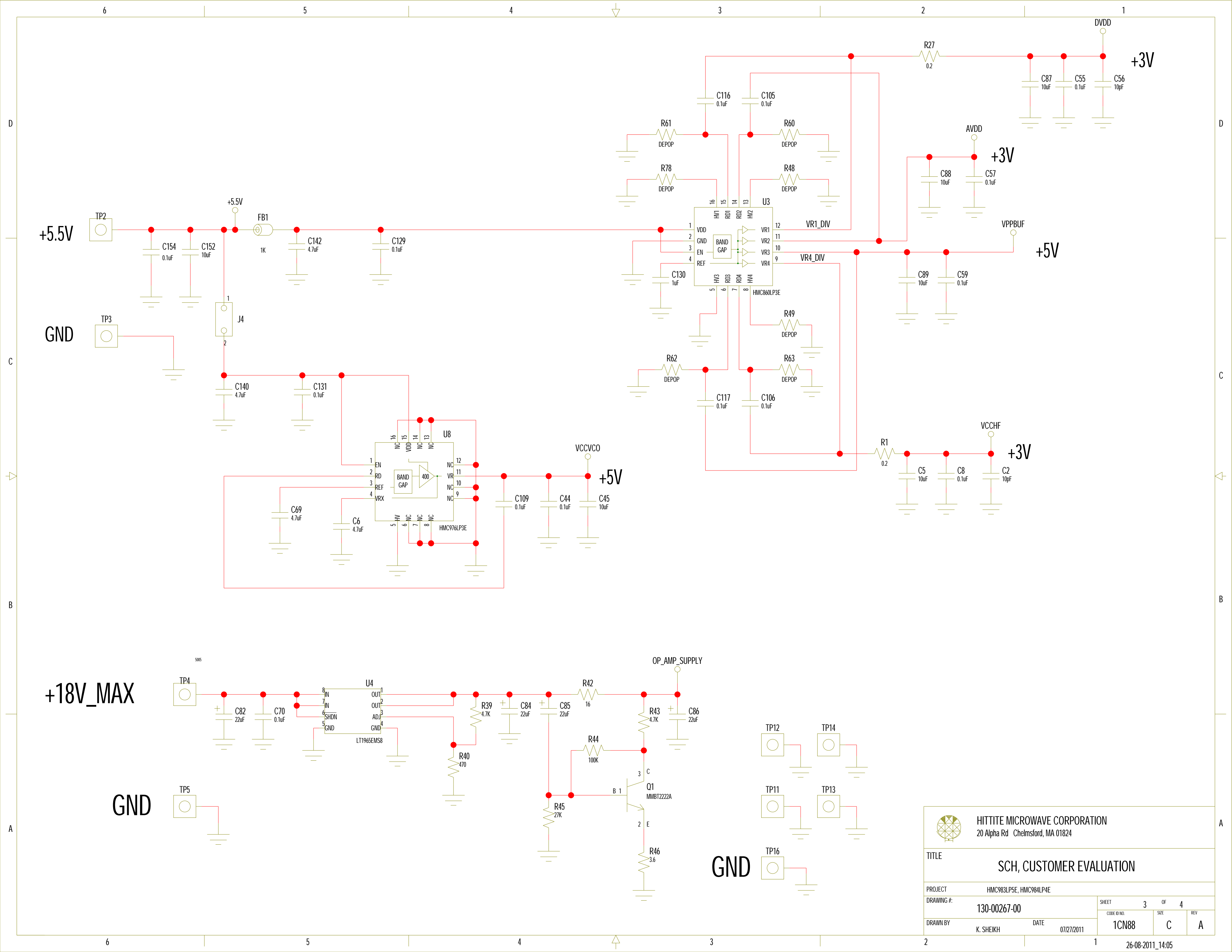
+3V

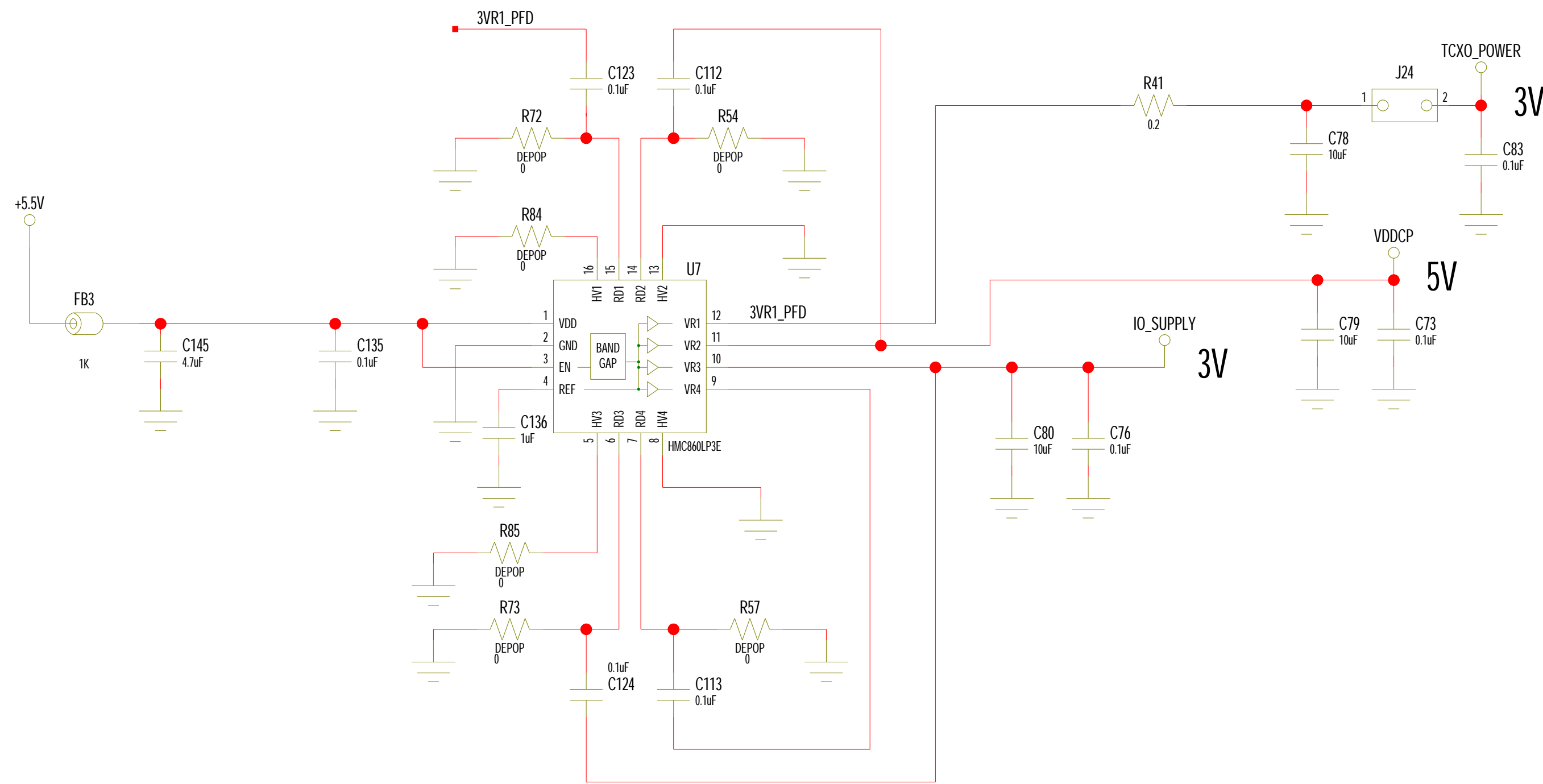
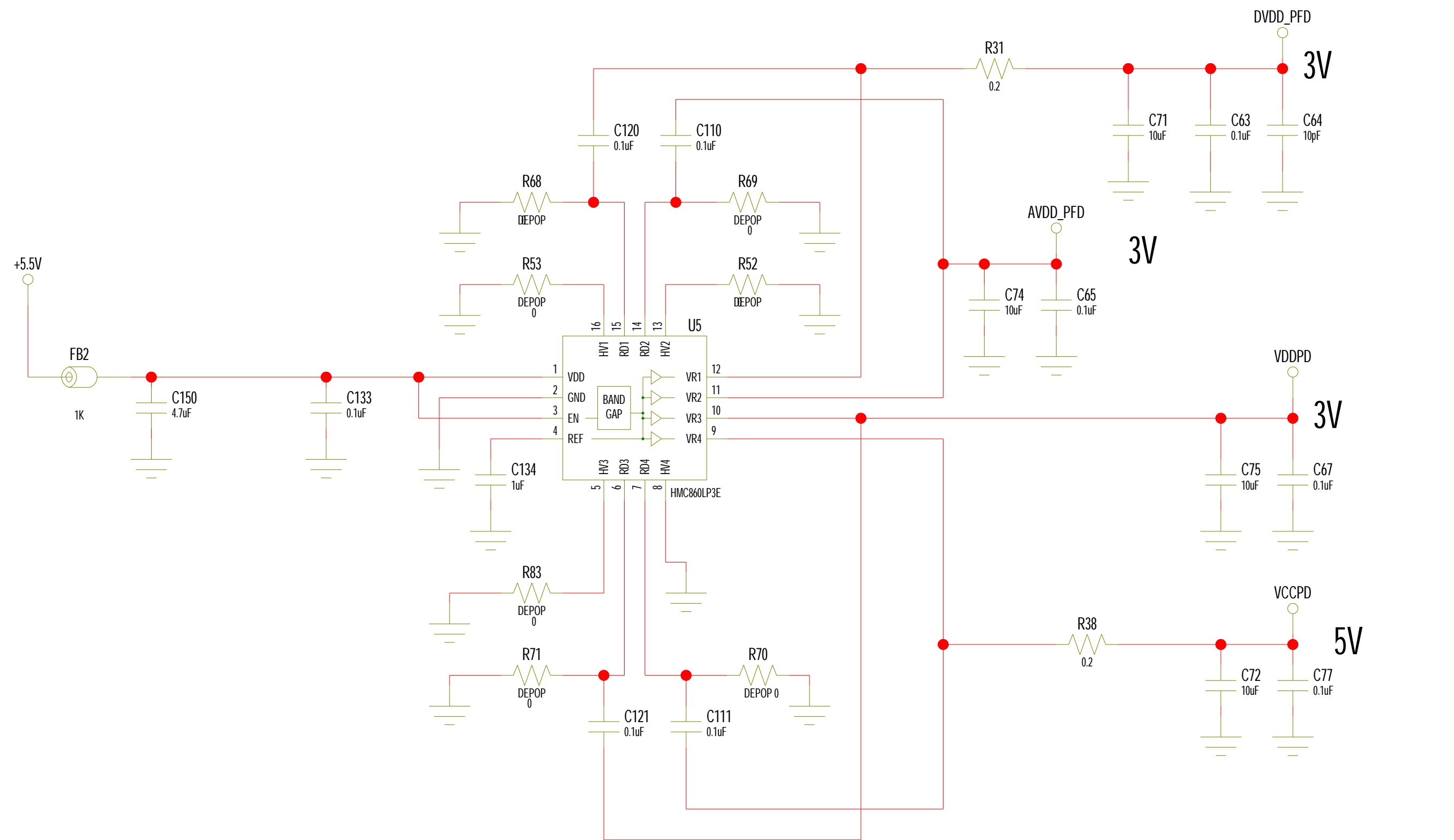
+18V\_MAX


GND

GND

 <b>HITTITE MICROWAVE CORPORATION</b> 20 Alpha Rd Chelmsford, MA 01824		TITLE							
		<b>SCH, CUSTOMER EVALUATION</b>							
PROJECT	HMC983LP5E, HMC984LP4E								
DRAWING #:	130-00267-00			SHEET	3	OF	4		
DRAWN BY	K. SHEIKH	DATE	07/27/2011	CODE ID NO.	1CN88	SIZE	C	REV	A





 <b>HITTITE MICROWAVE CORPORATION</b> 20 Alpha Rd Chelmsford, MA 01824		<b>TITLE</b> SCH, CUSTOMER EVALUATION			
		<b>PROJECT</b> HMC983LP5E, HMC984LP4E		SHEET 4 OF 4	
<b>DRAWING #:</b> 130-00267-00		CODE ID NO. 1CN88		SIZE C	
<b>DRAWN BY:</b> K. SHEIKH		DATE 07/27/2011		REV A	